

VAV-Compact unit – with VAV controller, dynamic Δp sensor and damper actuator

- Field of application: VAV units in comfort applications
- Application: VAV/CAV, position control
- Belimo D3, dynamic flow sensor
- Functional range differential pressure 0...500 Pa
- Control communicative, modulating (0/2...10 V)
- Communication via Belimo MP-Bus
- Conversion of sensor signals
- Tool connection: Service socket, NFC interface



Technical data

Electrical data	Nominal voltage	AC/DC 24 V
	Nominal voltage frequency	50/60 Hz
	Nominal voltage range	AC 19.2...28.8 V / DC 21.6...28.8 V
	Power consumption in operation	3 W
	Power consumption in rest position	1.5 W
	Power consumption for wire sizing	5 VA
	Power consumption for wire sizing note	Imax 8 A @ 5 ms
	Connection supply / control	Cable 1 m, 4x 0.75 mm ²
Data bus communication	Communicative control	MP-Bus
	Number of nodes	MP-Bus max. 8
Functional data	Torque motor	10 Nm
	Operating range Y	2...10 V
	Input impedance	100 k Ω
	Operating range Y variable	0...10 V
	Position feedback U	2...10 V
	Position feedback U note	Max. 0.5 mA
	Position feedback U variable	Start point 0...8 V End point 2...10 V
	V'max adjustable	20...100% of V'nom
	V'mid adjustable	>V'min...<V'max
	V'min adjustable	0...100% of V'nom (<V'max)
	Manual override	with push-button, can be locked
	Angle of rotation	95°
	Angle of rotation note	adjustable mechanical or electrical limitation
	Mechanical interface	Universal shaft clamp 8...26.7 mm
Position indication	Mechanical	
Measuring data	Measuring principle	Belimo D3, dynamic flow sensor
	Installation orientation	position-independent, no zeroing necessary
	Measuring range	-20...500 Pa
	Functional range differential pressure	0...500 Pa
	Maximum system pressure	1500 Pa
	Burst pressure	±5 kPa
	Height compensation	Adjustment of system height (range 0...3000 m above sea level)

Technical data

Measuring data	Condition measuring air	0...50°C / 5...95% RH, non-condensing
	Pressure tube connection	Nipple diameter 5.3 mm
Safety data	Protection class IEC/EN	III, Protective Extra-Low Voltage (PELV)
	Degree of protection IEC/EN	IP54
	Degree of protection NEMA/UL	NEMA 2
	Enclosure	UL Enclosure Type 2
	EMC	CE according to 2014/30/EU
	Certification IEC/EN	IEC/EN 60730-1 and IEC/EN 60730-2-14
	Type of action	Type 1
	Rated impulse voltage supply / control	0.8 kV
	Pollution degree	3
	Ambient humidity	Max. 95% RH, non-condensing
	Ambient temperature	-30...50°C [-22...122°F]
	Storage temperature	-20...80°C [-4...176°F]
Servicing	maintenance-free	
Weight	Weight	0.78 kg

Safety notes


- The device must not be used outside the specified field of application, especially not in aircraft or in any other airborne means of transport.
- Outdoor application: only possible in case that no (sea) water, snow, ice, insulation or aggressive gases interfere directly with the device and that it is ensured that the ambient conditions remain within the thresholds according to the data sheet at any time.
- Only authorised specialists may carry out installation. All applicable legal or institutional installation regulations must be complied with during installation.
- The device may only be opened at the manufacturer's site. It does not contain any parts that can be replaced or repaired by the user.
- Cables must not be removed from the device.
- The device contains electrical and electronic components and must not be disposed of as household refuse. All locally valid regulations and requirements must be observed.

Product features

Application The VAV-Compact unit is used for comfort applications for pressure-independent control of VAV units. See Technical brochure – VAV-Compact product range for volumetric flow applications.

Pressure measurement

The integrated D3 differential pressure sensor is also suitable for very small volumetric flows. The maintenance-free sensor technology enables a wide range of applications in the HVAC comfort area such as in residential buildings, offices, hotels, etc.

Actuators

For the various applications and damper designs, various actuator variants with torque 5, 10 or 20 Nm are available to the VAV unit manufacturer.

Control functions

Volumetric flow (VAV/CAV) or position control (Open Loop)

Product features

Application Variable Air Volume (VAV) Variable air volume control in the V'min...V'max range, demand-dependent via a modulating reference variable (analogue or bus), e.g. room temperature or CO₂ controller for energy-saving air conditioning of individual rooms or zones.

- V'nom, Δp @ V'nom
- OEM-specific calibration parameters, suitable for the VAV unit
- Adjustment range Δp @ V'nom: 38...450 Pa
- V'max (Max)
- Maximum operating volumetric flow, adjustable 20...100% V'nom
- V'min (Min)
- Minimum operating volumetric flow, adjustable 0...100% V'nom

Application Constant Air Volume (CAV) Constant volumetric flow control. If required, via step switching (switching contacts) for constant volumetric flow applications.

Steps: CLOSE / Min / Max / OPEN (Mid)

Application Position Control (Open Loop) Position control for integration of the VAV-Compact into an external VAV control loop. Transmitter and actuator unit.

- Max
- Range: 20...100 % rotation range
- Min
- Range: 0...100 % rotation range

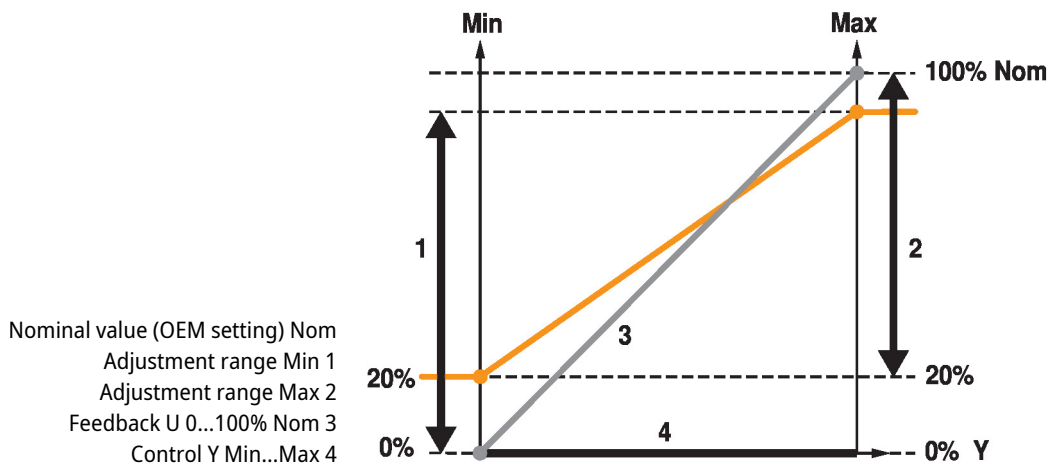
Demand Controlled Ventilation (DCV) Output of the demand signal (damper position) to the higher-level automation system – DCV function.

Bus operation Thanks to its MP-Bus functionality, the VAV-Compact can be easily integrated into a MP-Bus system. The communication interface and MP address is defined using service tools.

In bus mode, a sensor (0...10 V / passive) can optionally be connected, e.g. a temperature sensor or a switching contact, for integration into the higher-level bus system.

Operating settings Control functions
Volumetric flow (VAV/CAV) or position control (Open Loop)

Operating settings Min/Max/Nom



Operating and service tools Smartphone with Belimo Assistant App – contactless operation via the integrated NFC interface.
 PC-Tool (ZTH EU) – can be locally plugged into the service socket or remotely via MP connection.

Accessories

Gateways	Description	Type
	Gateway MP to BACnet MS/TP	UK24BAC
	Gateway MP to Modbus RTU	UK24MOD
Electrical accessories	Description	Type
	Positioner for wall mounting	CRP24-B1
	Positioner for wall mounting	SGA24
Tools	Description	Type
	Belimo Assistant App, Smartphone app for easy commissioning, parametrising and maintenance	Belimo Assistant App
	Converter Bluetooth / NFC	ZIP-BT-NFC
	Service tool, with ZIP-USB function, for parametrisable and communicative Belimo actuators, VAV controller and HVAC performance devices	ZTH EU
	Belimo PC-Tool, Software for adjustments and diagnostics	MFT-P
	Connecting cable 5 m, A: RJ11 6/4 ZTH EU, B: 6-pin for connection to service socket	ZK1-GEN
	Connecting cable 5 m, A: RJ11 6/4 ZTH EU, B: free wire end for connection to MP/PP terminal	ZK2-GEN

Electrical installation



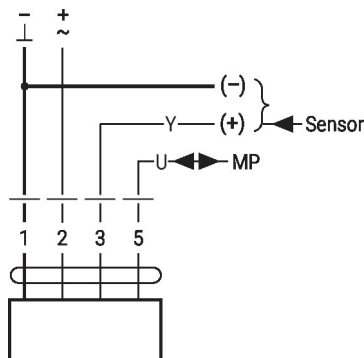
Supply from isolating transformer.

Wire colours:

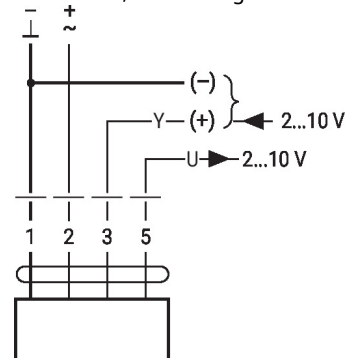
- 1 = black
- 2 = red
- 3 = white
- 5 = orange

Wiring diagrams

MP-Bus



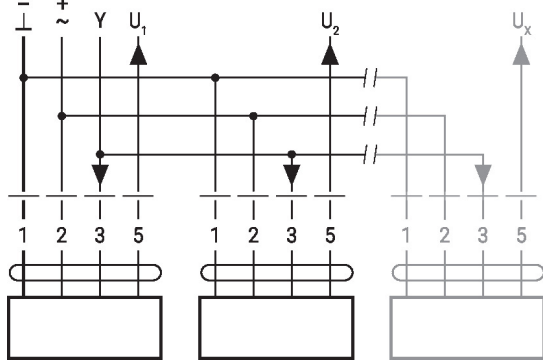
AC/DC 24 V, modulating



Electrical installation

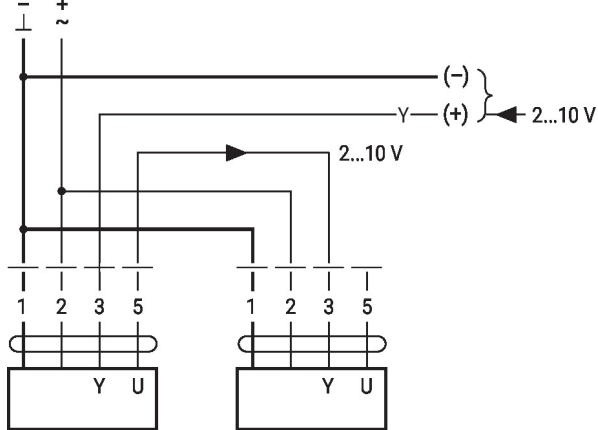
Wiring diagrams

Parallel operation



- Max. 8 actuators in parallel
- Parallel operation is permitted only on non-connected axes
- Do not fail to observe performance data with parallel operation

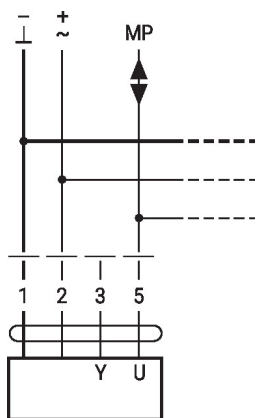
Primary/secondary operation



Functions

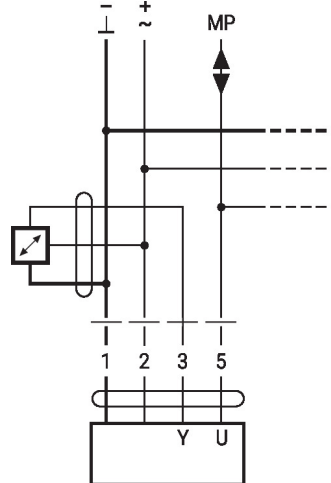
Functions with specific parameters (Parametrisation necessary)

Connection on the MP-Bus



Max. 8 MP-Bus nodes

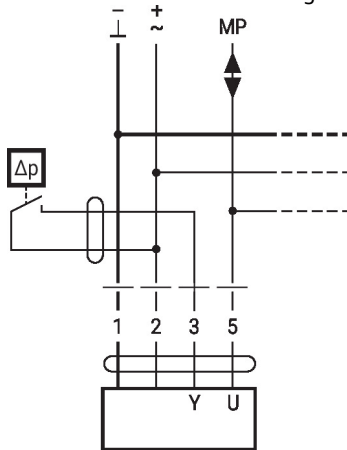
Connection of active sensors



- Supply AC/DC 24 V
- Output signal 0...10 V (max. 0...32 V)
- Resolution 30 mV

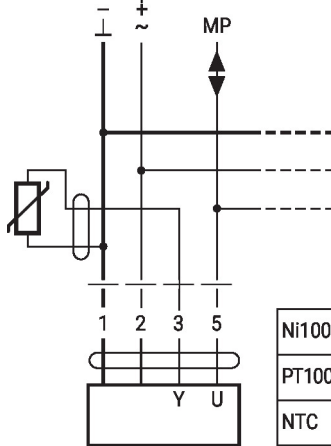
Functions with specific parameters (Parametrisation necessary)

Connection of external switching contact



- Switching current 16 mA @ 24 V
- Start point of the operating range must be parametrised on the MP actuator as ≥ 0.5 V

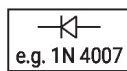
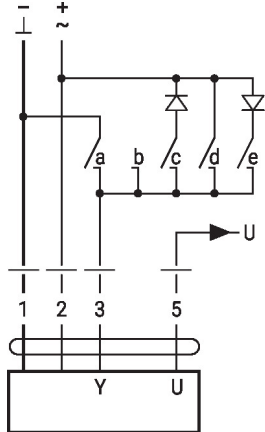
Connection of passive sensors



Ni1000	-28...+98°C	850...1600 Ω ²⁾
PT1000	-35...+155°C	850...1600 Ω ²⁾
NTC	-10...+160°C ¹⁾	200 Ω...60 kΩ ²⁾

- 1) Depending on the type
 - 2) Resolution 1 Ohm
- Compensation of the measured value is recommended

CAV function, PC-Tool setting: CLOSE - V'min - V'max (shut-off level 0.1 V)



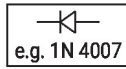
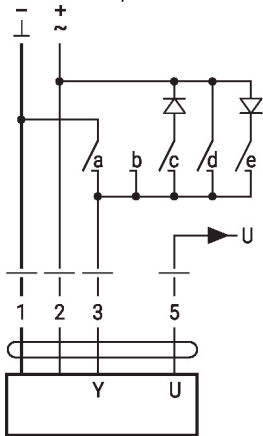
Contact	mode 2...10 V	mode 0...10 V
a	Close	Min
b	Min	Min
c	Close	Close
d	Max	Max
e	Open	Open

- Note that the contacts are mutually interlocking
- DC 24 V supply: option c and d not available
- Setting for CAV application: mode 2...10 V, shut-off level 0.1 V

Functions

Functions with specific parameters (Parametrisation necessary)

CAV function, PC-Tool setting: CLOSE - V'min - V'mid - V'max (NMV-D2M-compatible)



Contact	mode 2...10 V	mode 0...10 V
a	Close	Min
b	Min	Min
c	Mid	Mid
d	Max	Max
e	Open	Open

- Note that the contacts are mutually interlocking
- Setting parameters for CAV application: V'min - V'mid - V'max (NMV-D2M-compatible)

Parameter and tool overview

Settings and tool function

Designation	Setting values, limits, explanations	Units	Tool			Remarks
			ZTH EU	PC-Tool	Assistant app	
System-specific data						
Position	16 characters, e.g. Office 4 6th OG ZL	String	r	r/w	r/w	
Designation	16 characters: Unit designation, etc.	String	r	r/w ¹⁾	r	
Address	PP / MP1...8		r/w	r/w	r/w ²⁾	PP: 0...10 / 2...10 V MP1...8: MP mode
V'_{max}	20...100% [V'_{norm}]	m ³ /h / l/s / cfm	r/w	r/w	r/w	$>= V'_{min}$
V'_{mid}	$V'_{min}...V'_{max}$	m ³ /h / l/s / cfm	r/w	r/w	r/w	
V'_{min}	0...100% [V'_{norm}]	m ³ /h / l/s / cfm	r/w	r/w	r/w	$</= V'_{max}$
Altitude of installation	0...3000	m	r/w	r/w	r/w	Adaptation of Δp sensor to altitude (meters above sea level)
Controller Settings						
Control function	Volumetric flow / Position control (Open Loop)		–	r/w	r/w ²⁾	
Mode	0...10 / 2...10	V	r/w ²⁾	r/w	r/w ²⁾	
CAV function	CLOSE/ V'_{min}/V'_{max} : Shut-off level CLOSE 0.1 CLOSE/ V'_{min}/V'_{max} : Shut-off level CLOSE 0.5 $V'_{min}/V'_{mid}/V'_{max}$ (NMV-D2M-comp.)		–	r/w	–	
Positioning signal Y	Start value: 0...30; Stop value: 2...32	V	r	r/w	r	
Feedback U	Volume / Damper position / Δp		–	r/w	–	Definition of feedback signal
Feedback U	Start value: 0...8; Stop value: 2...10	V	–	r/w	–	
Behaviour when switched on (Power-on)	No action / Adaptation / Synchronisation		–	r/w	–	
Synchronisation behaviour	Y=0% Y=100%		–	r/w	–	Synchronisation at damper position 0 or 100%
Bus fail position	Last setpoint / Damper CLOSE V'_{min} / V'_{max} / Damper OPEN		–	r/w	–	
Unit-specific settings						
V'_{norm}	0...60'000 m ³ /h	m ³ /h / l/s / cfm	r	r/(w) ¹⁾	r	Unit-specific setting value
$\Delta p@V'_{norm}$	38...450	Pa	r	r/(w) ¹⁾	r	Unit-specific setting value
NFC interface	Read / Read and write		–	r/(w) ¹⁾	r	
Print function label			–	w	–	
Other settings						
Direction of rotation (for Y=100%)	cw/ccw		r/w ²⁾	r/w	r/w ²⁾	
Range of rotation	Adapted ²⁾ / programmed 30...95	°	–	r/w	–	
Torque	100 / 75 / 50 / 25	%		r/w		% of nominal torque
Renovation of old systems (Retrofit of old VAV units with leaking damper)						
Suppress damper leakage	Yes / No		–	r/w ¹⁾	–	Suppresses volume display with damper closed

¹⁾ Write function accessible only for VAV manufacturers

¹⁾ Access only via Servicing level 2

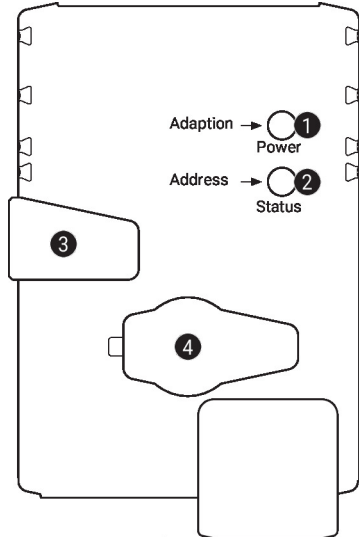
²⁾ Within the mechanical limitation

Parameter and tool overview

Settings and tool function

Designation	Setting values, limits, explanations	Units	Tool			Remarks
			ZTH EU	PC-Tool	Assistant app	
Operating data						
Actual value / Setpoint		m ³ /h / l/s / cfm	r	r	r	T (Trend) display
Damper position		Pa / %	-	T	T	
Simulation	Damper OPEN/CLOSE V'min / V'mid / V'max / Motor Stop		w	w	-	
Running times	Operating time, running time Ratio (relation)	h %	-	r	r	
Alarm messages	Setting range enlarged, Mech. overload, Stop&Go ratio too high		-	r/w	-	
Serial number	Device ID		r	r	r	Incl. production date
Type	Type designation		r	r	r	
Version display	Firmware, Config. table ID		r	r	-	
Configuration data						
Print, send			-	yes	yes	
Backup in file			-	yes	yes	
Log data / Logbook	Activities log		-	yes	-	Incl. complete setting data

Operating controls and indicators


1 Push-button and LED display green

Off: No power supply or malfunction

On: In operation

Press button: Triggers angle of rotation adaptation, followed by standard mode

2 Push-button and LED display yellow

Off: Standard mode

On: Adaptation or synchronisation process active

Flickering: MP-Bus communication active

Flashing: Request for addressing from MP client

Press button: Confirmation of the addressing

3 Manual override button

Press button: Gear train disengages, motor stops, manual override possible

Release button: Gear train engages, synchronisation starts, followed by standard mode

4 Service plug

For connecting parametrisation and service tools

Check power supply connection
1 Off and **2** On Possible wiring error in power supply

Installation notes

- Installation situation** Mounting VAV-Compact control equipment:
The VAV-Compact is assembled, set and calibrated on the VAV unit in the factory by the VAV unit manufacturer.
- Installation of the VAV unit:
The VAV unit must be installed according to the specifications of the VAV unit manufacturer.
- Installation specification Δp sensor:
No restrictions, but it must be avoided that any condensation can run into the sensor and remain there.
- Accessibility of control equipment:
Accessibility to the control equipment must be guaranteed at all times.
- Servicing** Cleaning work during installation, commissioning or maintenance
Belimo VAV devices are maintenance-free. We recommend dry removal of dust from the outside of the housing if necessary.
- The duct system and the VAV units are maintained on the occasion of the cleaning intervals required by law or by the specific system. Please observe the following points.
- Cleaning work on the damper, differential pressure pickup devices and pressure tubes
When cleaning the duct system or the VAV unit, remove the pressure tubes on the VAV controller so that it will not be affected.
- Using compressed air, e.g. blowing out the differential pressure pickup devices or pressure tubes
Before doing this work, disconnect the differential pressure pickup devices or pressure tubes from the differential pressure sensor.
- Connecting the pressure tubes
To ensure the correct installation of the pressure tubes, we recommend marking them with + or – before disassembly.

Service

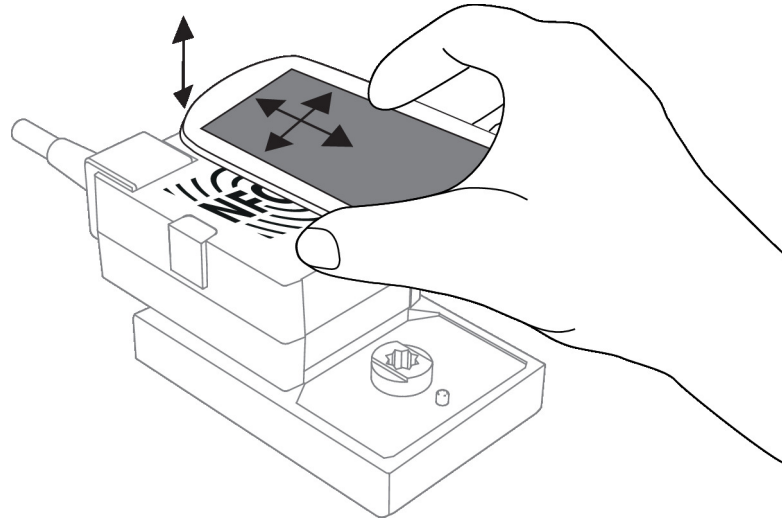
NFC connection Belimo devices marked with the NFC logo can be operated with the Belimo Assistant App.

Requirement:

- NFC- or Bluetooth-capable smartphone
- Belimo Assistant App (Google Play & Apple AppStore)

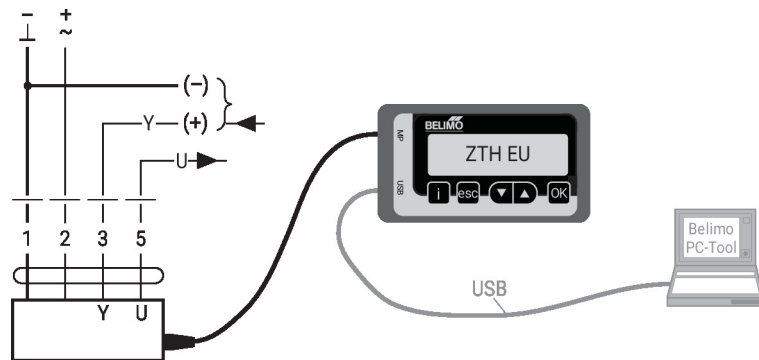
Align NFC-capable smartphone on the device so that both NFC antennas are superposed.

Connect Bluetooth-enabled smartphone via the Bluetooth-to-NFC Converter ZIP-BT-NFC to the device. Technical data and operation instructions are shown in the ZIP-BT-NFC data sheet.

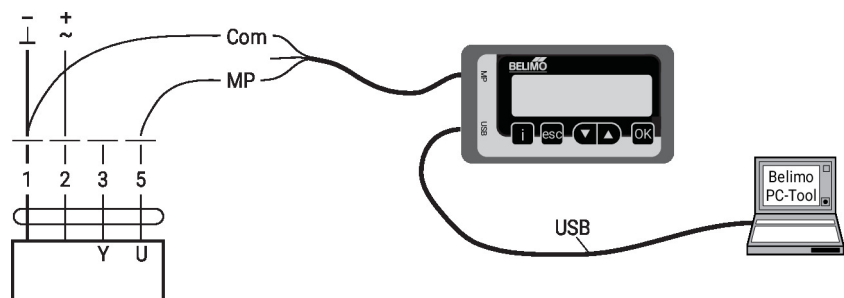


Tool connection The actuator can be parametrised by ZTH EU via the service socket. For an extended parametrisation the PC tool can be connected.

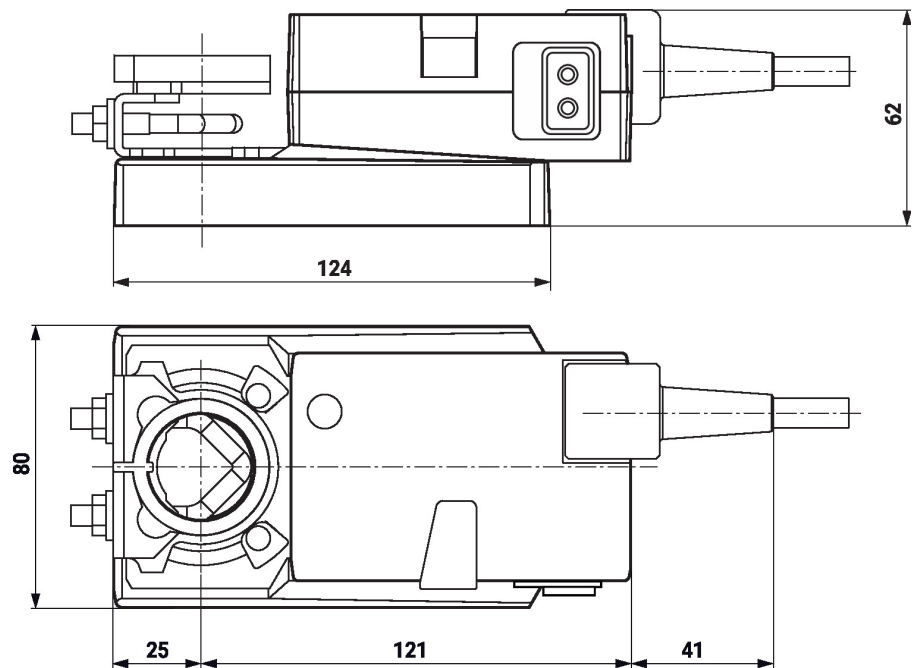
Connection ZTH EU / PC-Tool



PC-Tool connection



Dimensions



Further documentation

- VAV-Compact product range for comfort applications
- Tool connections
- Overview MP Cooperation Partners
- Introduction to MP-Bus Technology
- VAV-Universal application description
- Volumetric flow and pressure control from Belimo, product range overview