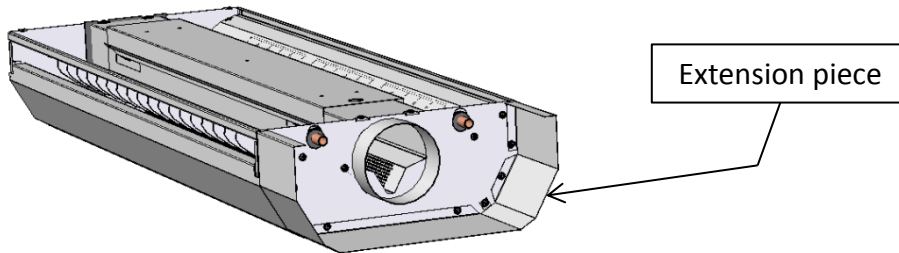


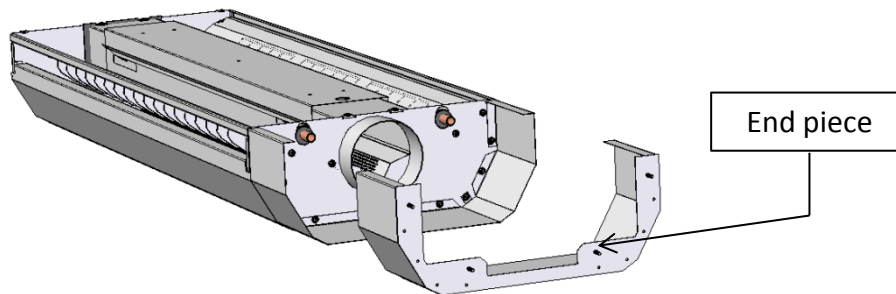
Complete cover for Svalbard-F is delivered as 3 parts.
1. extension piece, 1 end piece and 1 cover-front.

1.



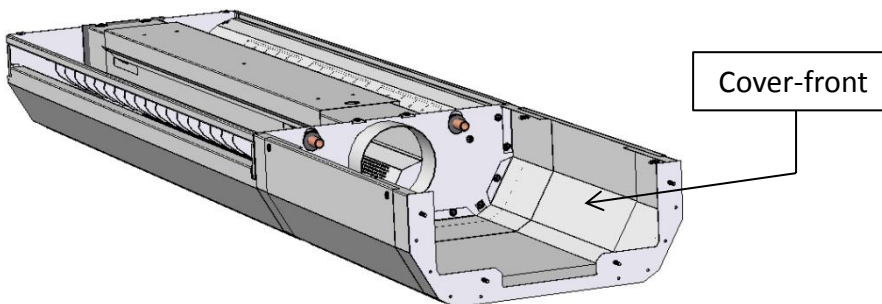
Attach the extension piece to the gable end of Svalbard-F using screws. Use pre-punched holes.

2.



Attach the end piece to the wall in line with the Svalbard F using screws.

3.



Place the cover-front on the outside of the extension piece and the end piece. Attach the cover-front using screws. Use pre-punched holes in the cover-front.