



Monitoring of motorized fire and smoke dampers in combination with the Communication and Control Units BKS24-1B or BKS24-9A

Mode of operation

The BKN230-24 also functions as a distribution power unit for supplying the BF..24..-ST, BLF24(-T)-ST spring-return actuators that is connected to it. Another of its functions is to signal the NORMAL and SAFE positions of the damper (from the switches in the spring-return actuators) to the central control panel over a 2-wire conductor. The same conductor is used for transmitting the ON/OFF control command from the control panel to the damper actuator via the BKN230-24.

Installation and connections

To simplify installation and connection, the spring-return actuator is fitted with connectors which plug directly into the BKN230-24 unit.

The 2-wire conductor is connected to the terminals 6 and 7. The terminals 1 and 2 are for the direct connection of thermal trips or smoke detectors.

Functional testing

If it is proposed to test the actuator without the BKS24... unit connected, it can be switched to NORMAL mode by fitting a jumper between terminals 3 and 4.

The green LED in the BKN230-24 unit is bright when power (AC 24 V) is available at the actuator.

The SAFE damper position can be checked either by pressing the push-button on the BAE72-S unit or by interrupting the power supply.

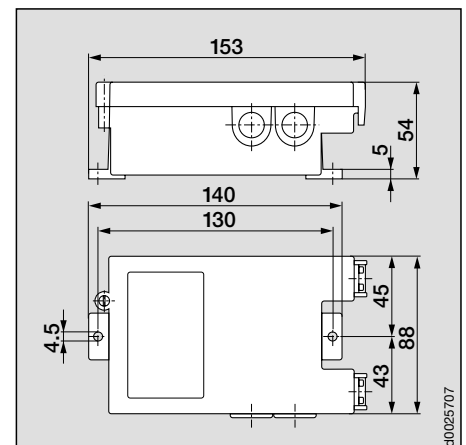
Product features

Plug-in connections.

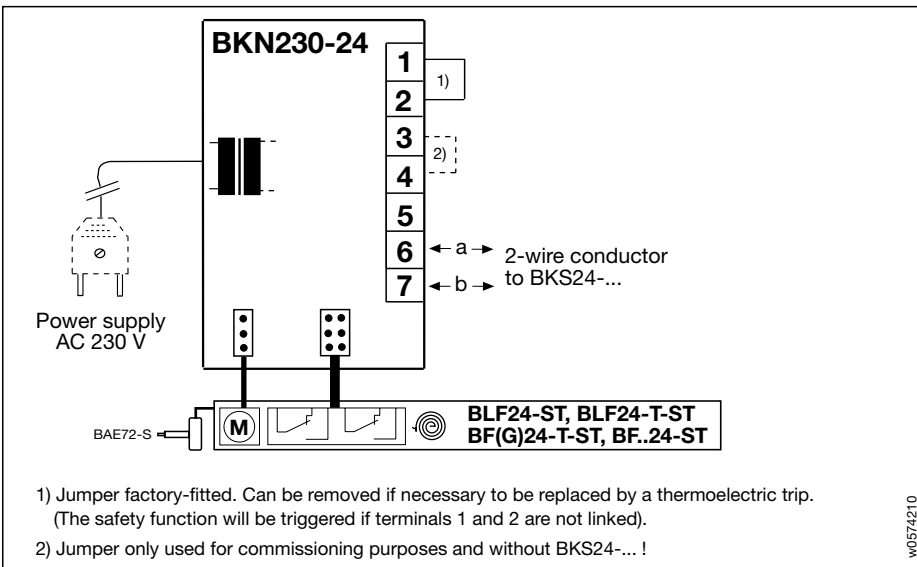
Power supply to damper actuators via plug-in contact (AC 24 V from safety isolating transformer).

Schematic diagrams see over.

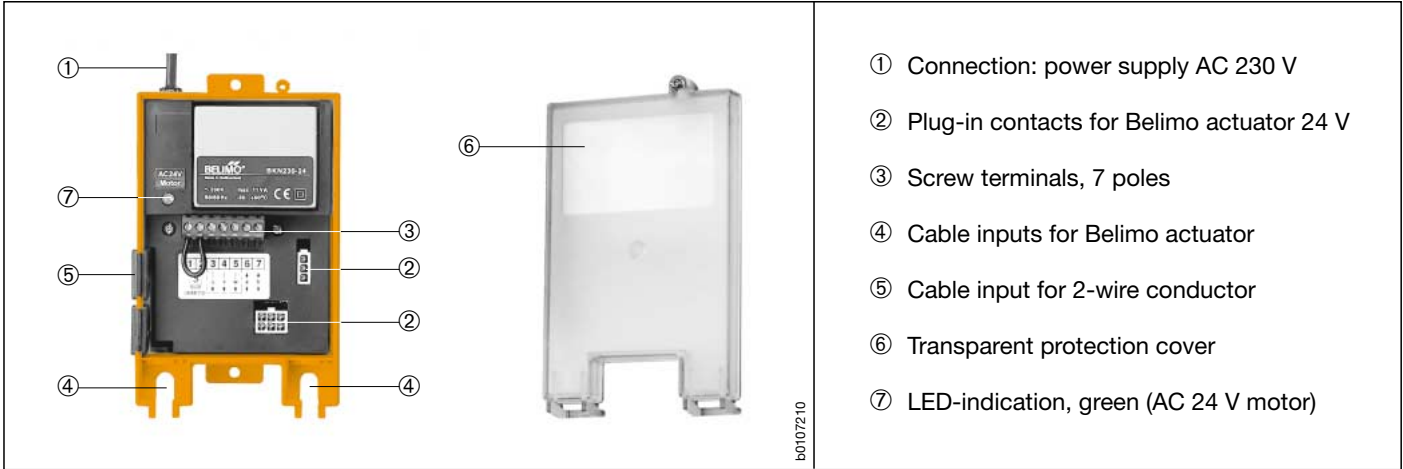
Dimensions



Wiring diagram

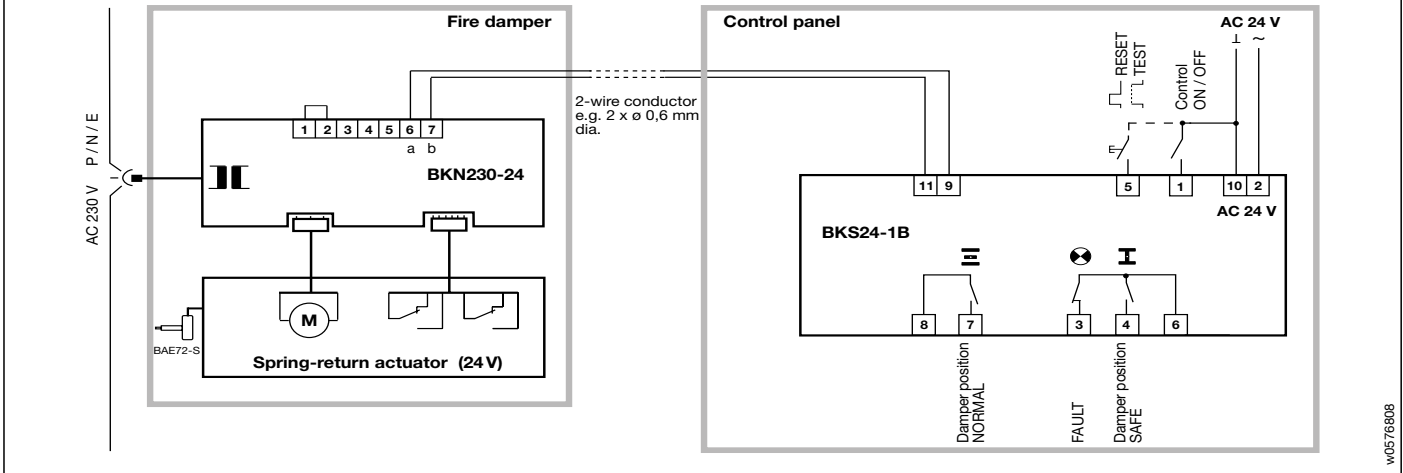


Technical data	BKN230-24
Nominal voltage	AC 230 V 50/60 Hz
Nominal voltage range	AC 198...264 V
For wire sizing	11 VA (incl. spring-return actuator)
Power consumption	3.5 W (NORMAL position)
Connection	
• Power supply	Cable 0.9 m with Euro-plug type 26
• Actuator	Plug 6 poles, plug 3 poles
• Screw terminals	for wire 2 × 1.5 mm ²
Protection class	II (all insulated)
Ambient temperature range	- 20... + 50 °C
Non-operating temperature	- 40... + 80 °C
Humidity test	to EN 60335-1
EMC	CE according to 89/336/EEC, 92/31/EEC, 93/68/EEC
Low Voltage Directive	CE according to 73/23/EEC
Maintenance	maintenance free
Weight	550 g

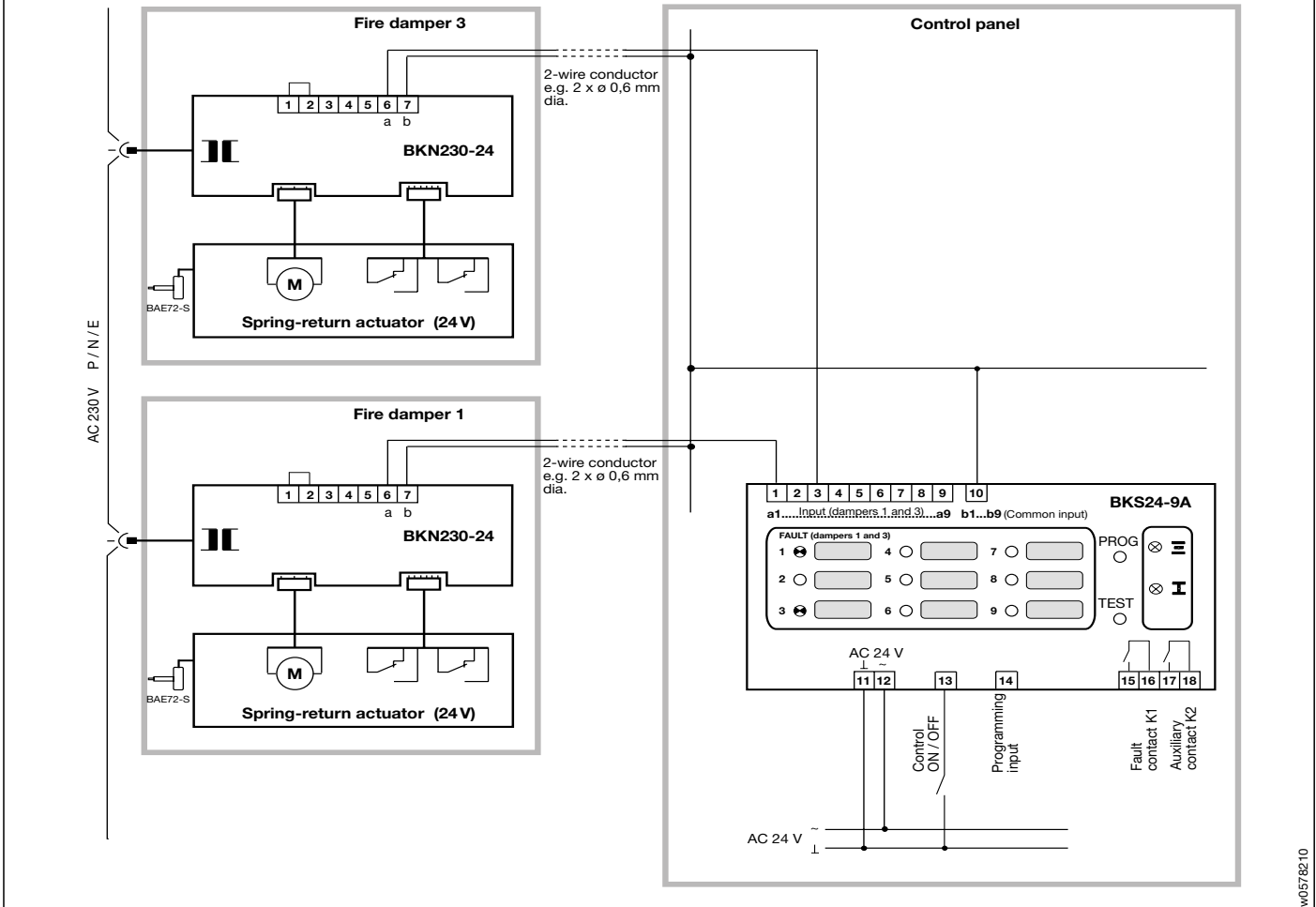


- ① Connection: power supply AC 230 V
- ② Plug-in contacts for Belimo actuator 24 V
- ③ Screw terminals, 7 poles
- ④ Cable inputs for Belimo actuator
- ⑤ Cable input for 2-wire conductor
- ⑥ Transparent protection cover
- ⑦ LED-indication, green (AC 24 V motor)

b01072.10



w0576808



w0578210