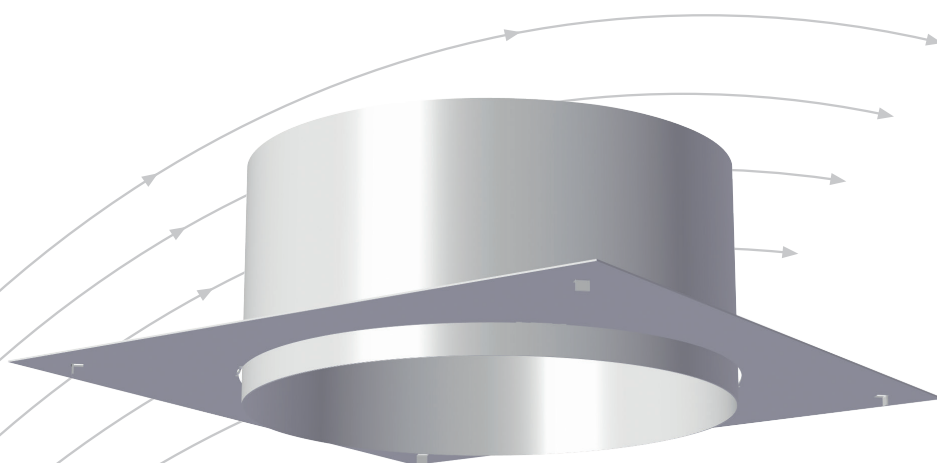


# Inter

## Ceiling-plate mounting kit for lightweight ceilings



- Universal kit for extract air terminal devices
- For easy valve installation in ceiling plate

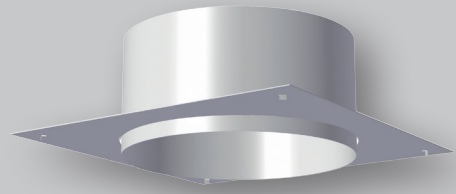
**TROX<sup>®</sup> TECHNIK**

 **Auranor**

TROX Auranor Norge AS

PO Box 100  
NO-2712 Brandbu

Telephone +47 61 31 35 00  
Fax +47 61 31 35 10  
e-mail: [firmapost@auranor.no](mailto:firmapost@auranor.no)  
[www.trox.no](http://www.trox.no)



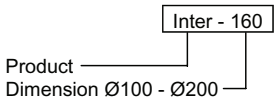
## APPLICATION

Inter is used to simplify the installation of valves in lightweight ceilings (mineral wool).

## MATERIALS AND SURFACE COATING

Inter is produced in galvanised steel.

## ORDER CODE, Inter



Example:  
Inter-160  
Explanation:  
Inter dimension Ø160.

## DIMENSIONS AND WEIGHT, INTER

| Dim. | D1  | H1 | H2  | Weight [kg] |
|------|-----|----|-----|-------------|
| 100  | 100 | 12 | 100 | 0,30        |
| 125  | 125 | 12 | 100 | 0,35        |
| 160  | 160 | 12 | 100 | 0,45        |
| 200  | 200 | 12 | 100 | 0,60        |

Table 1

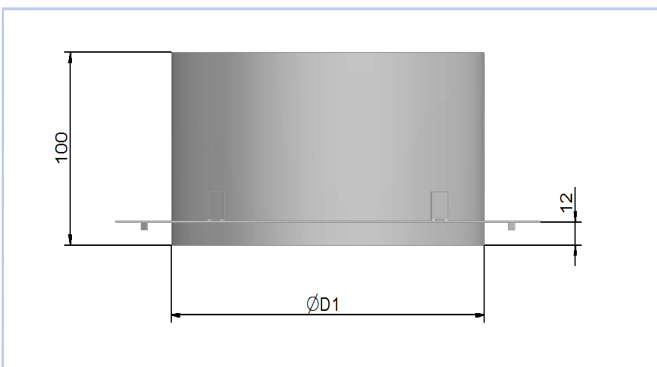


Fig. 1

## INSTALLATION

Cut a groove in the ceiling plate (1) D1 + 5 mm, using the end-piece of the Inter as a template.

Install the Inter (2) in the ceiling plate (1) by using 3 self-drilling screws inside the Inter to attach the mounting frame for the valve (3). Then fit the valve in the mounting frame.

Finally, install the assembled ceiling plate in a modular ceiling system. Use of connection nipple (4) or bend between Inter and Spiro duct (5) is recommended.

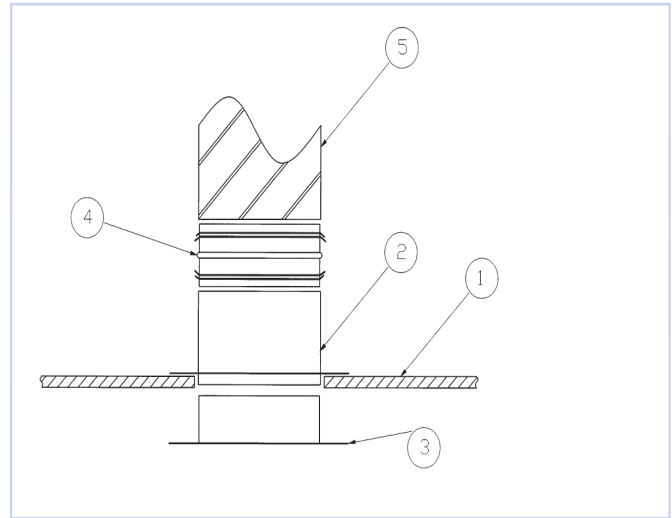


Fig. 2

## MAINTENANCE

No specific maintenance requirements

## ENVIRONMENT

Enquiries regarding product declaration can be directed to our sales team, or information can be found at our website: [www.trox.no](http://www.trox.no)

Inter is developed and manufactured by: